

wheel diameter	tread width	hub width	bore diameter	load capacity	plain bore	roller bearing *	ball bearing **
330	70	66	1"	300	VBW 330-1		
	70	63	1"	300		VBW 330-1RB	
	70	83	1"	300			VBW 330-1BB
350	75	66	1"	400	VBW 355-1		
	75	63	1"	400		VBW 355-1RB	
	75	83	1"	400			VBW 355-1BB
400	90	66	1"	600	VBW 405-1		
	90	63	1"	600		VBW 405-1RB	
	90	83	1"	600			VBW 405-1BB
450	115	75	30	1100			VBW 455-30BB
	115	75	35	1100			VBW 455-35BB

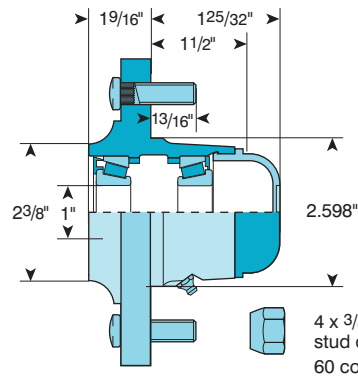


i * 25 i.d. roller bearing available, change **1RB** to **25RB** in wheel reference
 ** Ball bearing wheels are black centred except for 455mm diameter - white centred

VBW | 4 STUD FIXING

SUPPLIED WITH OR WITHOUT HUB

wheel diameter	tread width	hub width	bore diameter	load capacity	wheel without hub	wheel with hub	hub only c/w cap
400	90	-	-	345	VBW 405-4		
	90	see drawing		345		VBW 405-4 1TM	
-	-	see drawing		-			HUBTM1



i All dimensions are in **mm** and all loadings are in **kg** unless otherwise stated