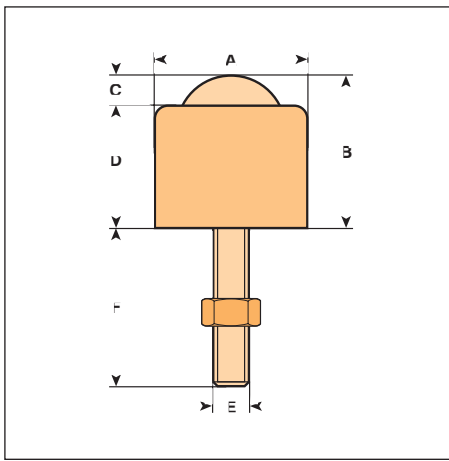




V25J



Varley

**J type
V series**

- Ball transfer units with threaded stem fixing.
- Available in mild steel body with mild steel ball.

ball diameter	A	B	C	D	E	F	mild steel ball		
							ball up load	ball down load	ref
12.7 (1/2")	20	20	2	18	M6	28	25	N/A	V12J
19.1 (3/4")	30	30	4	26	M8	25	50	N/A	V19J
25.4 (1")	35	35	7	28	M8	40	125	N/A	V25J