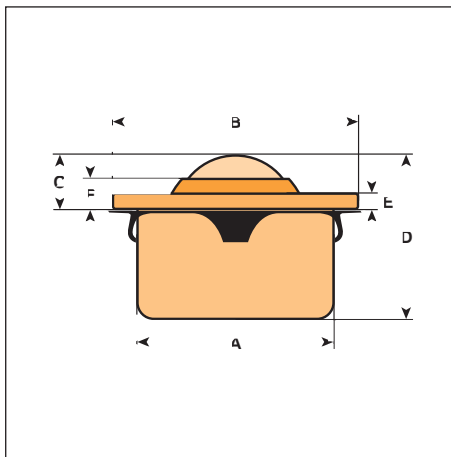


F type V series



- Ball transfer units for press fitting with flange and fixing clip.
- Available in mild steel body/mild steel ball, mild steel body/nylon ball and stainless steel body/stainless steel ball.



ball dia	A	B	C	D	E	F	mild steel ball			nylon ball			completely stainless		
							ball up load	ball down load	ref	ball up load	ball down load	ref	ball up load	ball down load	ref
15	24	31	9.5	21	2.8	6.3	45	N/A	V15F	10	N/A	V15FNY	35	N/A	V15FSS
22	36	45	9.8	30	2.8	5.5	120	N/A	V22F	20	N/A	V22FNY	90	N/A	V22FSS
30	45	55	13.8	37	4	8.3	230	N/A	V30F	25	N/A	V30FNY	175	N/A	V30FSS
45	62	75	19	53.5	4	10	550	N/A	V45F				250	N/A	V45FSS

Note: All 'F' type ball transfer units come with fixing clips.

