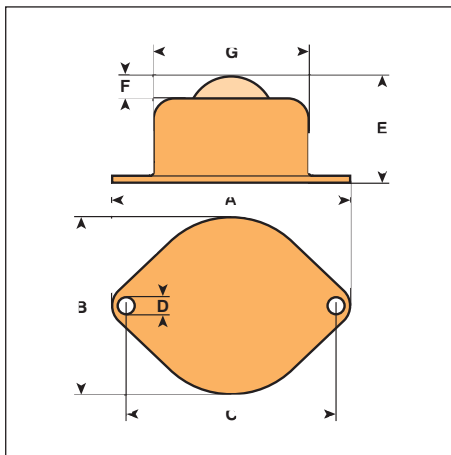


# E type V series

# Varley

- Ball transfer units with plate fixing.
- Available in mild steel body/mild steel ball, mild steel body/nylon ball and stainless steel body/stainless steel ball.



V25E

ball diameter	A	B	C	D	E	F	G	mild steel ball			nylon ball			completely stainless		
								ball up load	ball down load	ref	ball up load	ball down load	ref	ball up load	ball down load	ref
25.4 (1")	68.3	50.8	60.32	5	30.5	6.3	44.5	55	25	V25E	25	N/A	V25ENY	55	25	V25ESS