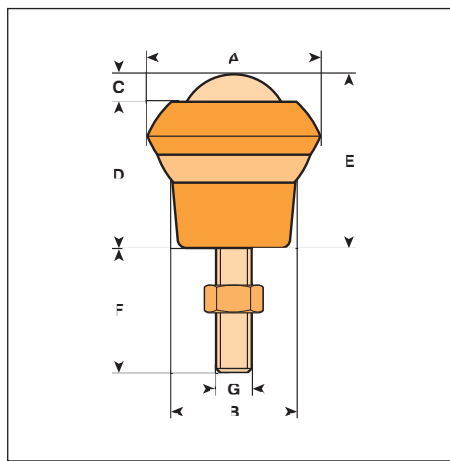


B type V series

Varley

- Ball transfer units with threaded stem and cup fixing.
- Available in mild steel body/mild steel ball, mild steel body/nylon ball and stainless steel body/stainless steel ball.



ball diameter	A	B	C	D	E	F	G	mild steel ball			nylon ball			completely stainless		
								ball up load	ball down load	ref	ball up load	ball down load	ref	ball up load	ball down load	ref
19.1 (3/4")	32.1	25.4	4.7	25.5	30.2	35	M8	25	10	V19B	20	N/A	V19BNY	25	10	V19BSS
25.4 (1")	39.7	25.4	6.3	33.4	39.7	33	M8	55	25	V25B	25	N/A	V25BNY	55	25	V25BSS
31.8 (1 1/4")	73	49.7	8	34.04	42.04	35	M10	125	55	V31B						
39.6 (1 9/16")	55.5	49	11.9	45.1	57	38	M10	140	60	V40B				140	60	V40BSS

1.2 Special and standard application castors