

Pressed Steel Centre, Black Rubber Tyre

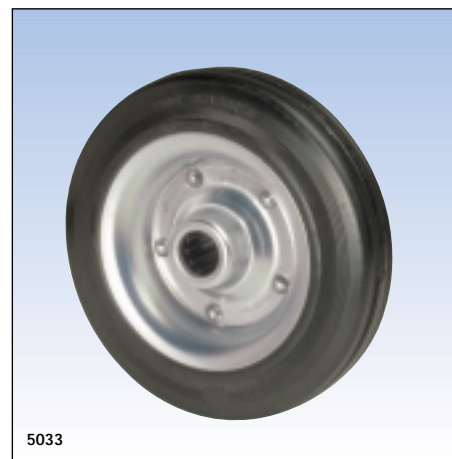
- Centre: Pressed steel
- Tyre: Cushion rubber
- Finish: Bright zinc centre, black tyre

whl dia	tread width	load cap	bore dia	hub width	plain bore	roller bearing	ball bearing		used in castor series
					ref	ref	ref	brg dist *	
125	37.5	130	15	49		5023			M40
150	40	170	15	50			5006	46	M40
	40	170	15	49		5026			M40
160	40	180	15	50			5008	46	M40
	40	180	15	49		5028			M40
	40	180	20	49		5029			
200	50	230	20	59		5032			M40
	50	230	20	60			5013	56	M40
	50	230	25	59		5033			
250	60	300	25	73			5014	69	M40
	60	300	25	74		5034			M40

* = distance between face of bearings

LAG

K series



Pressed Steel Centre, Grey Rubber Tyre

- Centre: Pressed steel
- Tyre: Cushion rubber
- Finish: Bright zinc centre, grey tyre

whl dia	tread width	load cap	bore dia	hub width	plain bore	roller bearing	ball bearing		used in castor series
					ref	ref	ref	brg dist *	
125	37.5	145	15	49		5523			M40
150	40	200	15	50			5506	46	M40
	40	200	15	49		5526			M40
160	40	210	15	50			5508	46	M40
	40	210	15	49		5528			M40
	40	210	20	49		5529			
200	50	280	20	59		5532			M40
	50	280	20	60			5513	56	M40
	50	280	25	59		5533			
250	60	360	25	74		5534			M40
	60	360	25	73			5514	70	M40

* = distance between face of bearings

LAG

KG series

