

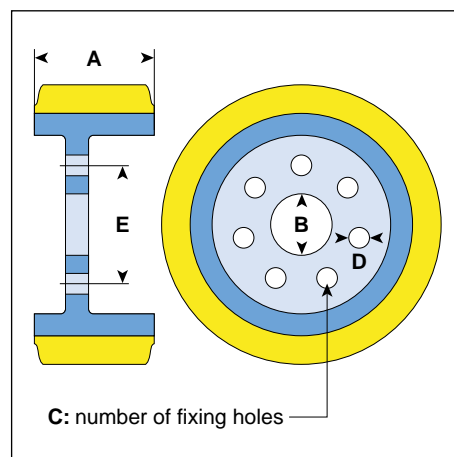
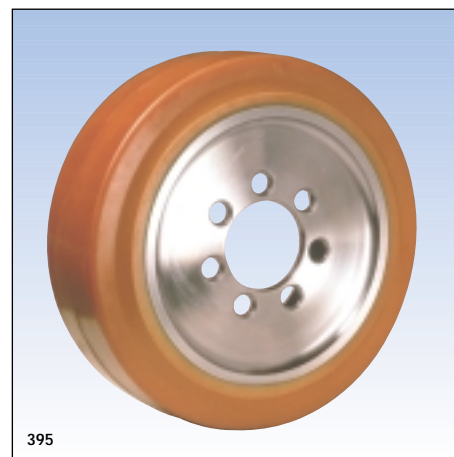
Drive Wheels

- Centre: Steel
- Tyre: Rubber, polyurethane or vulkollan®
- Finish: Self colour centre, black rubber tyre or brown polyurethane/vulkollan® tyre

whl dia	A	B	C	D	E	load cap	wheel		ref
							centre	tyre	
215	70	60	5	11	92	1230	steel	polyurethane	527
	70	60	5	11	92	1230	steel	vulkollan®	327
220	70	45	5	13	70	1270	steel	polyurethane	533
230	70	45	5	13	70	1280	steel	polyurethane	541
	70	45	5	13	70	1280	steel	vulkollan®	341
	75	45	5	13	70	1400	steel	polyurethane	542
	75	80	6	14	112	1400	steel	polyurethane	543
	75	80	6	14	112	1400	steel	vulkollan®	343
	85	45	5	12.5	70	1480	steel	polyurethane	547
250	80	80	5	15	112	1660	steel	polyurethane	568
	80	80	5	15	112	1660	steel	vulkollan®	368
	100	80	5	18.5	112	2020	steel	polyurethane	572
	100	80	5	18.5	112	2020	steel	vulkollan®	372
	125	80	5	18.5	112	2230	steel	vulkollan®	374
343	114	80	5	18.5	112	2785	steel	vulkollan®	394
	114	80	7	18.5	112	2785	steel	vulkollan®	395
406	203	240	12	13	260	5300	steel	vulkollan®	399

Drive wheels and press on bands are given load ratings in accordance with the ETRTO standard.
Load capacity shown is for speeds up to 6km/h

LAG DW/PB series



Press On Bands

- Centre: Steel
- Tyre: Polyurethane or vulkollan®
- Finish: Self colour centre, brown tyre

whl dia	tread width	int dia of rim	load capacity	wheel		ref
				rim	tyre	
150	50	100	620	steel	polyurethane	145
	75	100	935	steel	polyurethane	161
160	50	100	640	steel	polyurethane	162
180	50	120	720	steel	polyurethane	150
	50	120	720	steel	vulkollan®	223
	75	120	1080	steel	polyurethane	151
	100	105	1370	steel	polyurethane	141
	100	105	1370	steel	vulkollan®	241
	200	75	100	1040	steel	polyurethane
200	75	100	1040	steel	vulkollan®	218
	85	105	1200	steel	polyurethane	146
	85	105	1200	steel	vulkollan®	220
	105	120	1570	steel	vulkollan®	226
	230	75	170	1380	steel	polyurethane
230	85	145	1480	steel	polyurethane	155
	250	80	170	1495	steel	polyurethane
250	80	170	1495	steel	polyurethane	165S*
	80	170	1495	steel	vulkollan®	240
	80	170	1495	steel	polyurethane	171
	105	170	1960	steel	polyurethane	171
260	105	170	1965	steel	vulkollan®	242
300	90	203	1895	steel	polyurethane	158
	90	203	1895	steel	vulkollan®	248
310	120	220	2680	steel	vulkollan®	202
343	114	225	2535	steel	polyurethane	179
	114	225	2535	steel	vulkollan®	254
	140	245	3115	steel	vulkollan®	203
345	115	245	2755	steel	vulkollan®	259
350	90	280	2440	steel	vulkollan®	205
	110	270	2875	steel	vulkollan®	265
	140	270	3660	steel	vulkollan®	204

Drive wheels and press on bands are given load ratings in accordance with the ETRTO standard.

Load capacity shown is for speeds up to 6km/h

* = pattern tread

