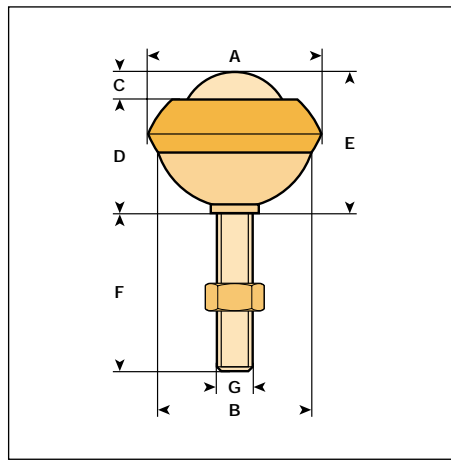


A type

V series

Varley

- Ball transfer units with threaded stem fixing.
- Available in mild steel body/mild steel ball, mild steel body/nylon ball and stainless steel body/stainless steel ball.



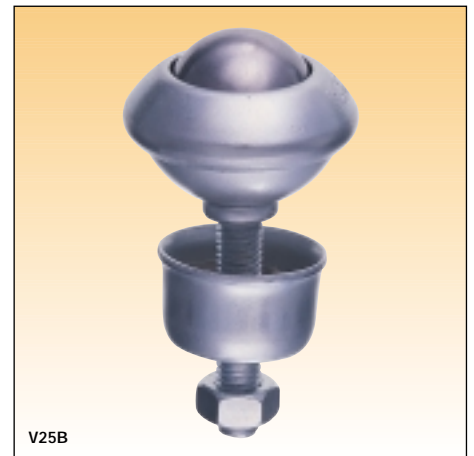
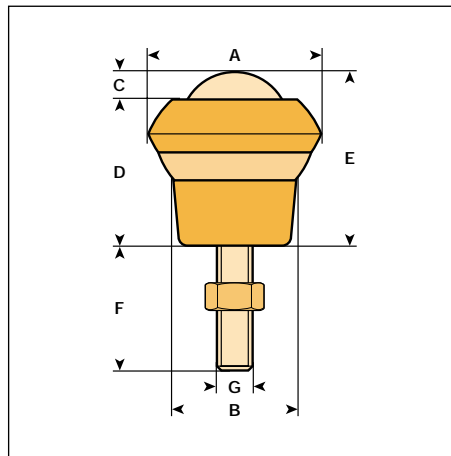
ball diameter	A	B	C	D	E	F	G	mild steel ball			nylon ball			completely stainless		
								ball up load	ball down load	ref	ball up load	ball down load	ref	ball up load	ball down load	ref
19.1 (3/4")	32.1	25.4	4.7	19.9	24.6	35	M8	25	10	V19A	20	N/A	V19ANY	25	10	V19ASS
25.4 (1")	39.7	32.5	6.3	26.2	32.5	35	M8	55	25	V25A	25	N/A	V25ANY	55	25	V25ASS
39.6 (1 5/16")	55.5	47.6	11.9	35.7	47.6	40	M10	140	60	V40A				140	60	V40ASS

B type

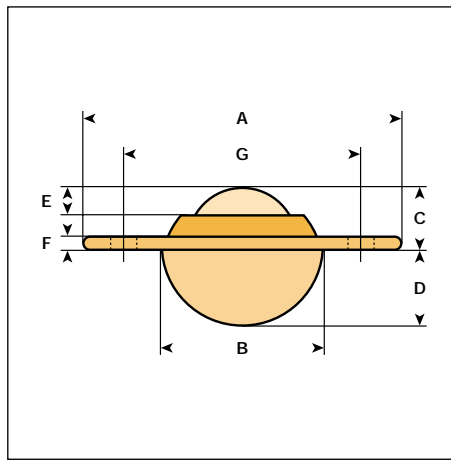
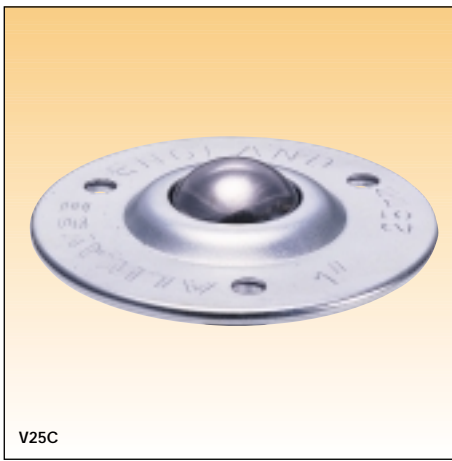
V series

Varley

- Ball transfer units with threaded stem and cup fixing.
- Available in mild steel body/mild steel ball, mild steel body/nylon ball and stainless steel body/stainless steel ball.



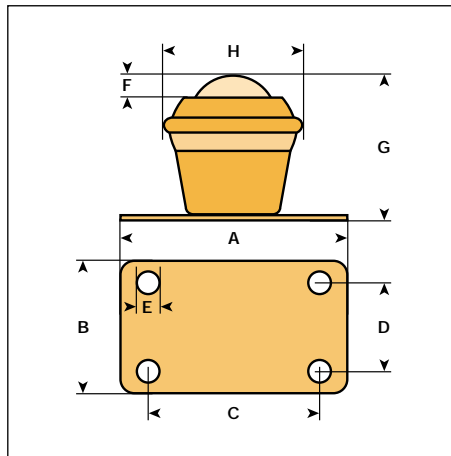
ball diameter	A	B	C	D	E	F	G	mild steel ball			nylon ball			completely stainless		
								ball up load	ball down load	ref	ball up load	ball down load	ref	ball up load	ball down load	ref
19.1 (3/4")	32.1	25.4	4.7	25.5	30.2	35	M8	25	10	V19B	20	N/A	V19BNY	25	10	V19BSS
25.4 (1")	39.7	25.4	6.3	33.4	39.7	33	M8	55	25	V25B	25	N/A	V25BNY	55	25	V25BSS
31.8 (1 1/4")	73	49.7	8	34.04	42.04	35	M10	125	55	V31B						
39.6 (1 5/16")	55.5	49	11.9	45.1	57	38	M10	140	60	V40B				140	60	V40BSS



- Ball transfer units with circular flange fixing.
- Available in mild steel body/mild steel ball, mild steel body/nylon ball and stainless steel body/stainless steel ball.

ball diameter	A	B	C	D	E	F	G	mild steel ball			nylon ball			completely stainless		
								ball up load	ball down load	ref	ball up load	ball down load	ref	ball up load	ball down load	ref
19.1 (3/4")	61	29.5	10	12	3.2	3.2	5.5 x 44.5 PCD	25	10	V19C	20	N/A	V19CNY	25	10	V19CSS
25.4 (1")	73	38.1	14.2	15.8	6.3	3	5 x 55.6 PCD	55	25	V25C	25	N/A	V25CNY	55	25	V25CSS
31.8 (1 1/4")	73	46	16.25	19.9	8	4.25	5 x 58.7 PCD	125	55	V31C				125	55	V31CSS
39.6 (1 5/8")	89	56	21.45	24.6	8.75	6	7 x 70 PCD	140	60	V40C				140	60	V40ASS
50.8 (2")	120.65	76	28.27	30.16	14.3	6.3	8 x 92 PCD	340	100	V50C				340	100	V50CSS

Note: all 'C' type ball transfer units have 3 equi-spaced fixing holes.



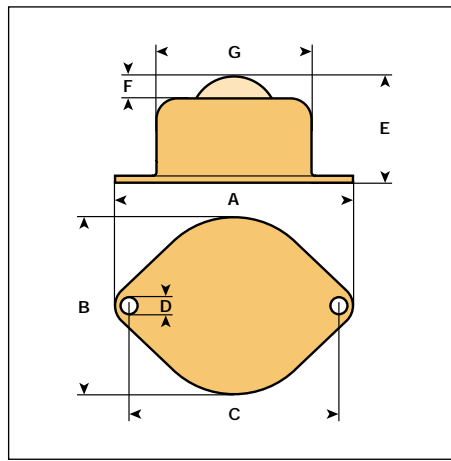
- Ball transfer units with plate fixing.
- Available in mild steel body/mild steel ball, mild steel body/nylon ball and stainless steel body/stainless steel ball.

ball diameter	A	B	C	D	E	F	G	H	mild steel ball			nylon ball			completely stainless		
									ball up load	ball down load	ref	ball up load	ball down load	ref	ball up load	ball down load	ref
19.1 (3/4")	65.1	38	49.2	25.4	6.3	4.7	32.5	32.1	25	10	V19D	20	N/A	V19DNY	25	10	
25.4 (1")	65.1	38	49.2	25.4	6.3	6.3	41.3	39.7	55	25	V25D	25	N/A	V25DNY	55	25	V25DSS
31.8 (1 1/4")	58.7	58.7	47.6	47.6	4.8	8	44.4	73	125	55	V31D				125	55	V31DSS
39.6 (1 5/8")	58.7	58.7	47.6	47.6	4.8	11.9	57	55.5	140	60	V40D				140	60	V40DSS

E type V series



- Ball transfer units with plate fixing.
- Available in mild steel body/mild steel ball, mild steel body/nylon ball and stainless steel body/stainless steel ball.

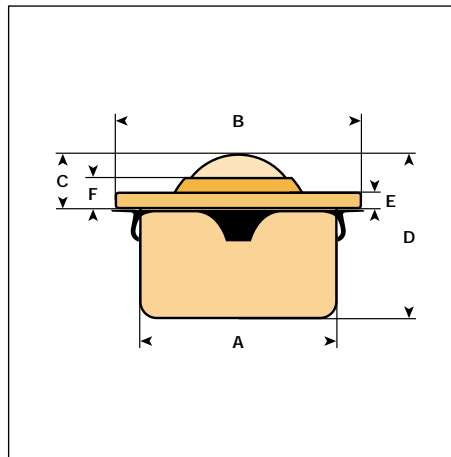


ball diameter	A	B	C	D	E	F	G	mild steel ball			nylon ball			completely stainless		
								ball up load	ball down load	ref	ball up load	ball down load	ref	ball up load	ball down load	ref
25.4 (1")	68.3	50.8	60.32	5	30.5	6.3	44.5	55	25	V25E	25	N/A	V25ENY	55	25	V25ESS

F type V series



- Ball transfer units for press fitting with flange and fixing clip.
- Available in mild steel body/mild steel ball, mild steel body/nylon ball and stainless steel body/stainless steel ball.



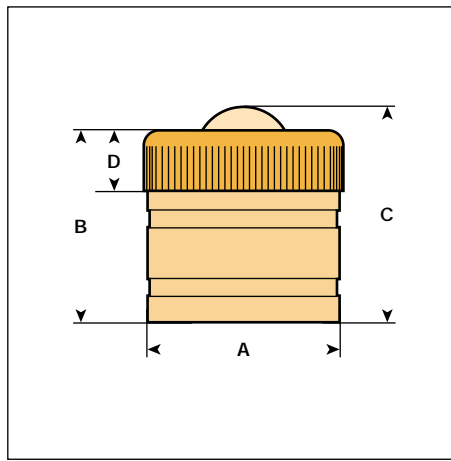
ball dia	A	B	C	D	E	F	mild steel ball			nylon ball			completely stainless		
							ball up load	ball down load	ref	ball up load	ball down load	ref	ball up load	ball down load	ref
15	24	31	9.5	21	2.8	6.3	45	N/A	V15F	10	N/A	V15FNY	35	N/A	V15FSS
22	36	45	9.8	30	2.8	5.5	120	N/A	V22F	20	N/A	V22FNY	90	N/A	V22FSS
30	45	55	13.8	37	4	8.3	230	N/A	V30F	25	N/A	V30FNY	175	N/A	V30FSS
45	62	75	19	53.5	4	10	550	N/A	V45F				250	N/A	V45FSS

Note: All 'F' type ball transfer units come with fixing clips.





V12G

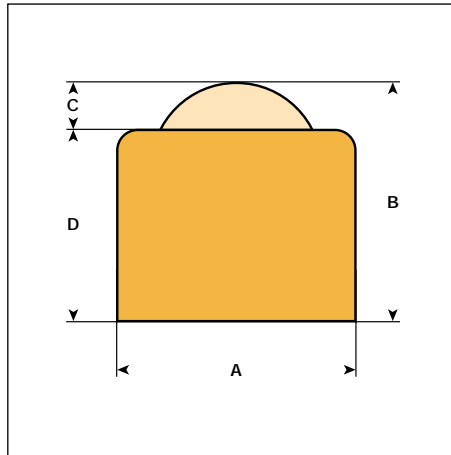
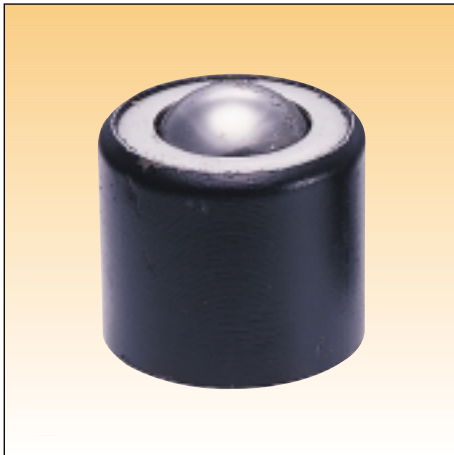


Varley G type V series

- Spring loaded ball transfer units for press fitting.
- Available in mild steel body with mild steel ball.

ball diameter	A	B	C	D	mild steel ball		
					ball up load	ball down load	ref
12.7 (1/2")	25.4	25.4	28.5	8	22	N/A	V12G

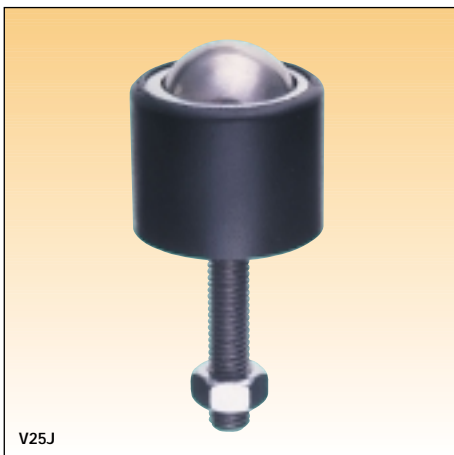
Note: Load for maximum deflection 38 kgs. Max deflection 2mm.



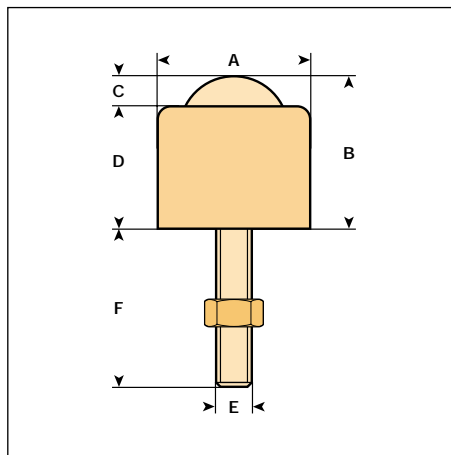
Varley H type V series

- Ball transfer units for press fitting.
- Available in mild steel body with mild steel ball.

ball diameter	A	B	C	D	mild steel ball		
					ball up load	ball down load	ref
12.7 (1/2")	20	20	2	18	25	N/A	V12H
19.1 (3/4")	30	30	4	26	50	N/A	V19H
25.4 (1")	35	35	7	28	125	N/A	V25H



V25J



Varley J type V series

- Ball transfer units with threaded stem fixing.
- Available in mild steel body with mild steel ball.

ball diameter	A	B	C	D	E	F	mild steel ball		
							ball up load	ball down load	ref
12.7 (1/2")	20	20	2	18	M6	28	25	N/A	V12J
19.1 (3/4")	30	30	4	26	M8	25	50	N/A	V19J
25.4 (1")	35	35	7	28	M8	40	125	N/A	V25J